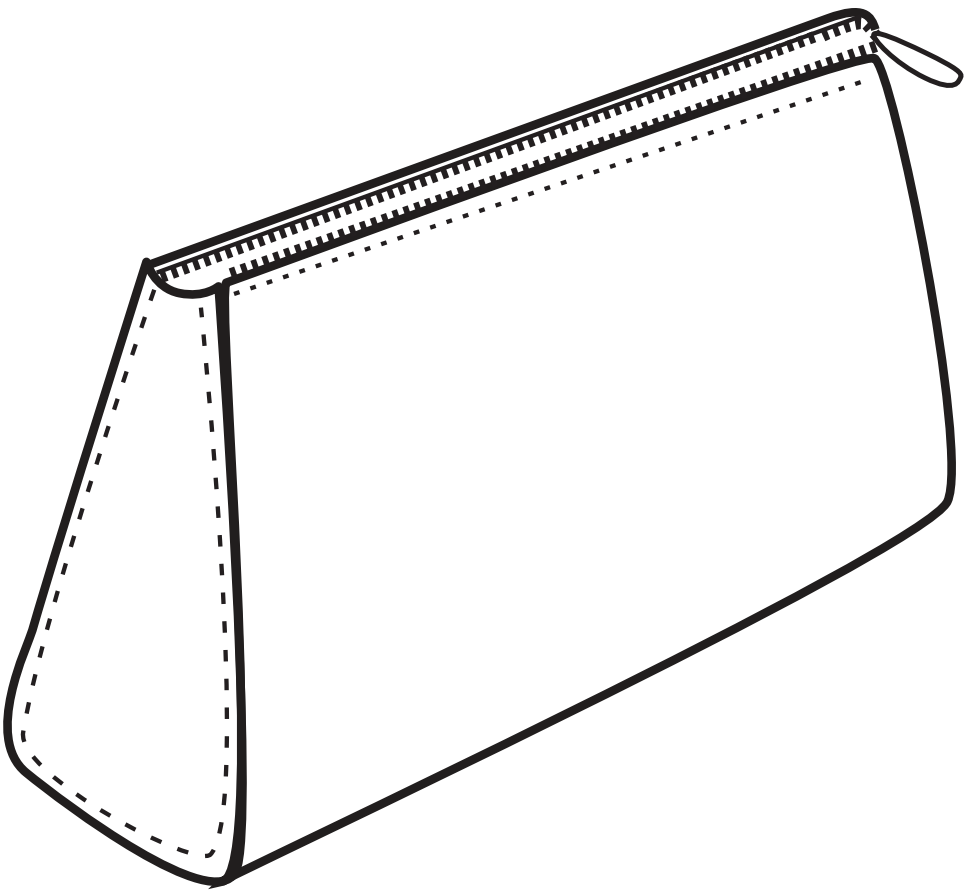


En mi estuche

Draw in the empty pencil case below what you have and you do not have in your pencil case, based on the language presented in class. Then write this in Spanish in the space provided using the expressions 'En mi estuche tengo' and 'En mi estuche no tengo' as presented in class.



A large rectangular box containing ten horizontal lines, intended for students to write their responses in Spanish.

Word bank

un sacapuntas	un lápiz	un cuaderno	un bolígrafo	un libro
una calculadora	una goma	una barra de pegamento	una regla	unas tijeras